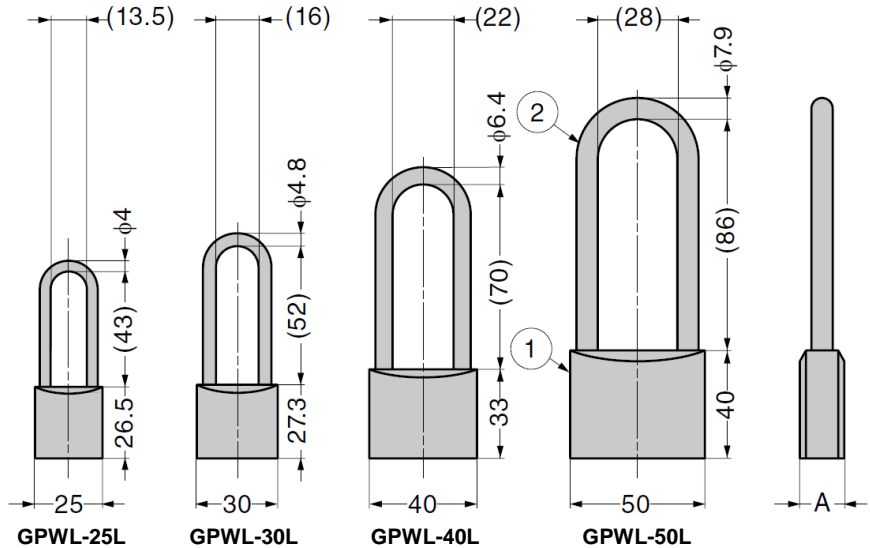
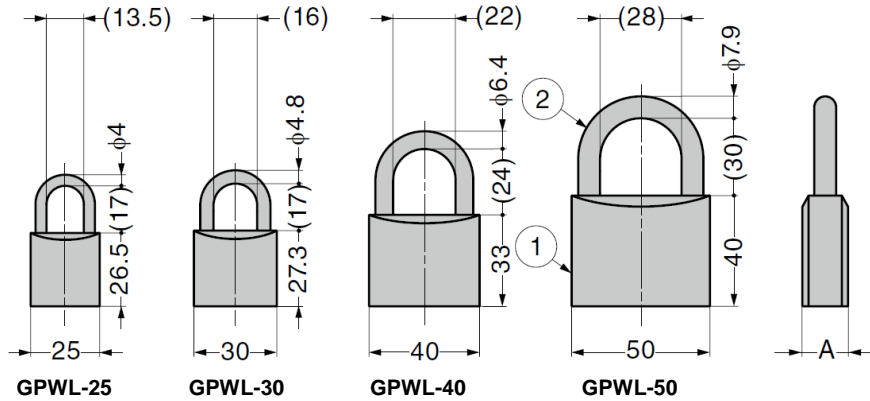


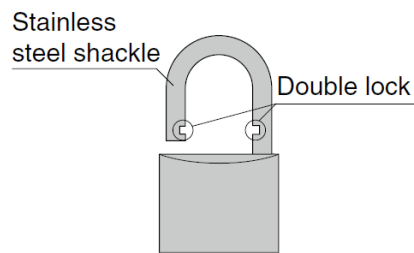
GPWL High Security Padlock

Features

- Provides high security with stainless steel shackle and double lock
- No key number marking on the body, prevents illegal tampering
- 110 key changes available
- Sealing tool series also available



Part No.	A
GPWL-25	11.5
GPWL-30	12.8
GPWL-40	13.8
GPWL-50	16.5
GPWL-25L	11.5
GPWL-30L	12.8
GPWL-40L	13.8
GPWL-50L	16.5



3 pcs (included)

No.	Part Name	Material	Finish
①	Body	Brass	Chrome
②	Shackle	Stainless Steel (SUS304)	-
③	Key	Brass	Nickel